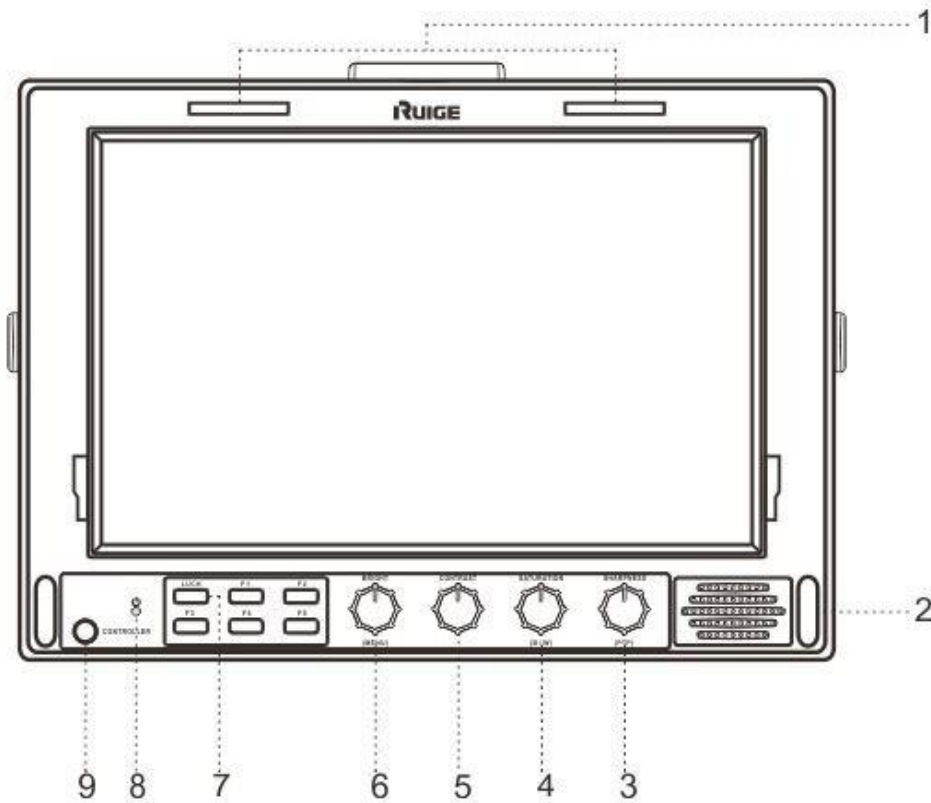
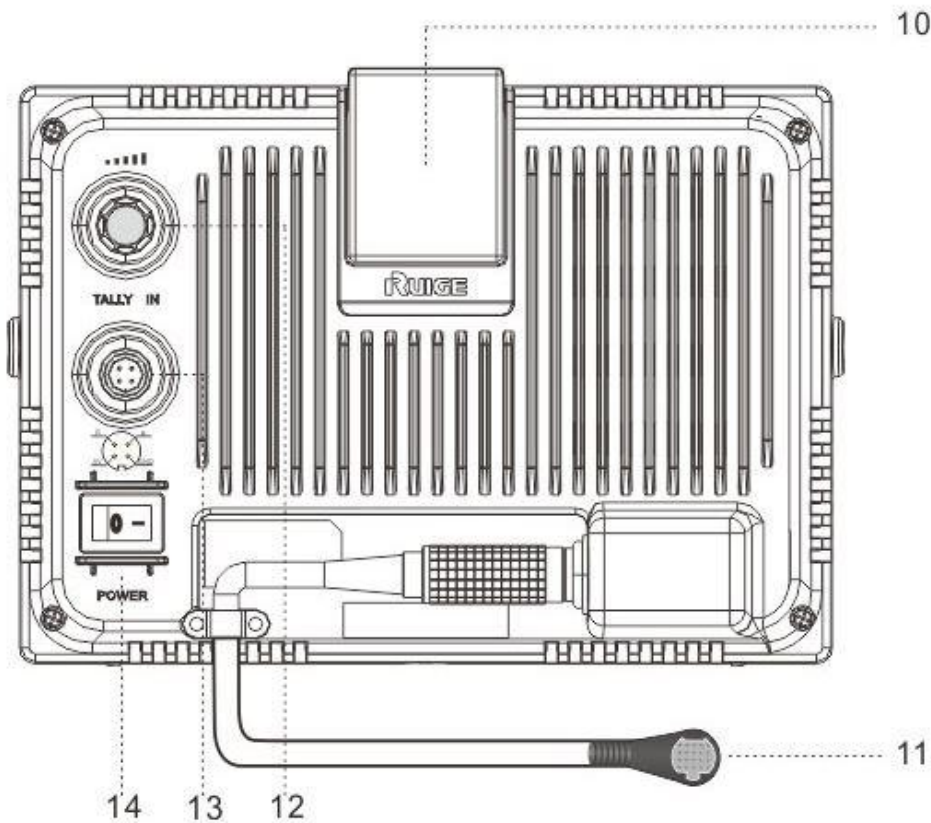


## Function sketch ---front view



- 1 TALLY (indicator)
- 2 Protection bar
- 3 Sharpness / PTP
- 4 Saturation / Color B/W switch
- 5 Contrast
- 6 Brightness / OSD
- 7 Status lock / unlock
- 8 Power indicator (red)
- 9 Controller jack
- F1、F2、F3、F4、F5 Shortcut (user-defined)

## Function sketch ---back view



- 10 TALLY (indicator)
- 11 VF signal input
- 12 TALLY brightness adjustment knob
- 13 TALLY signal input
- 14 Power switch