



**For Security  
Videoconferencing**

Applicable camera (model)

# T16×5.5DA-R11

1	2/3	1/2	1/3	1/4

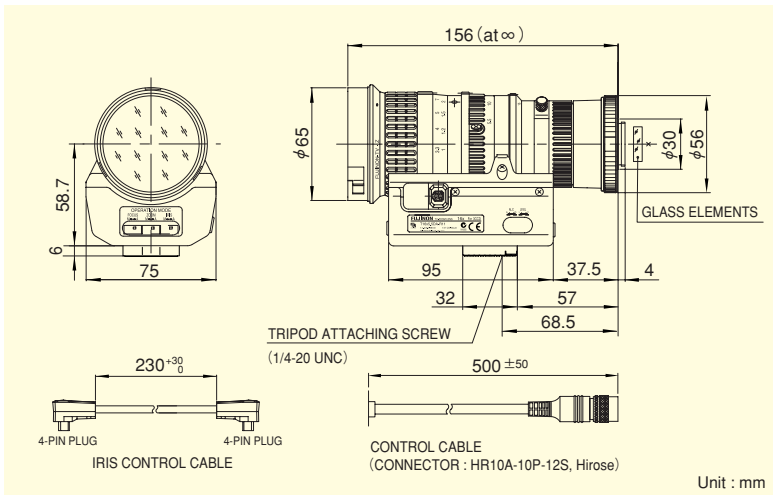
**16x**



\*Photograph is a similar model.

<b>ZOOM</b> Zoom	<b>WIDE</b> Wide Angle	<b>TELE</b> Telephoto Long Focal	<b>MOTOR DRIVE</b> Motor Drive	<b>3CCD</b> For 3CCD Camera	<b>VIDEO</b> Video Auto Iris	<b>C-mt</b> C Mount
				<b>METAL</b> Metal Mount	<b>SERVO</b> Full Servo	<b>PC</b> PC Control

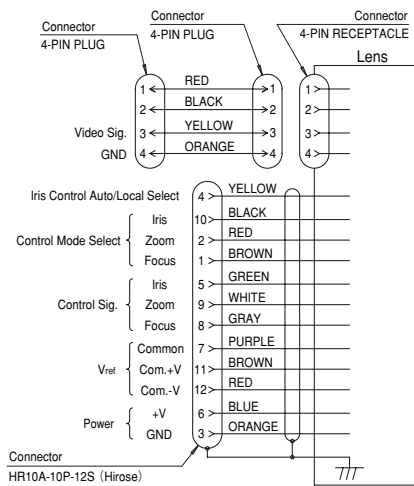
- With the high accuracy servo control enabled, best suited for advanced monitoring systems
- High-powered zoom lens covering wide angle and telephoto
- PC control enabled with the dedicated controller combined
- Special design for optimizing the image quality of 3CCD cameras



Unit : mm

Focal Length (mm)		5.5~88 (16x)	
Iris Range		F1.4 ~ F16	
Operation	Zoom	Servo Control	
	Focus	Servo Control	
	Iris	Auto (Video Type) or Servo Control	
Angle Of View (H×V)	1/3"	WIDE	47°09' × 36°15'
		TELE	3°07' × 2°21'
Focusing Range (From Front Of The Lens)		∞ ~ 1	
Object Dimensions at M.O.D. (H×V) (mm)	1/3"	WIDE	819 × 614
		TELE	51 × 38
Back Focal Distance (in air) (mm)		14.83	
Exit Pupil Position (From Image Plane) (mm)		251	
Filter Thread (mm)		M62 × 0.75	
Mount		C	
Mass (g)		900	
Standard Accessories		Iris Control Cable	
Remarks		<ul style="list-style-type: none"> <li>• With Metal Mount</li> <li>• Zoom/Focus/Iris can be operated manually</li> </ul>	

## Wiring



## Accessories

### Control Unit

Model	RMD-10	RMD-20	RMD-30
Operation	Zoom, Focus, Iris (Auto or Remote)		
Power Source	AC 90V~250V 50/60Hz		

\* On how to connect the control box, refer to SYSTEM CHART (D-6).

### Extension Cable

ECM-005M	5m
ECM-010M	10m
ECM-020M	20m
ECM-050M	50m
ECM-100M	100m

### Cable Relay Unit

CCB-1

### DC Power Source

CPS-401A-01A